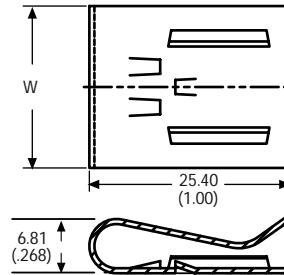
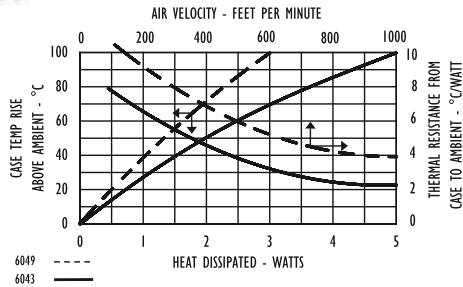


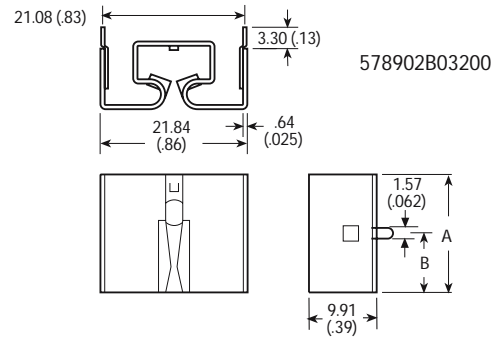
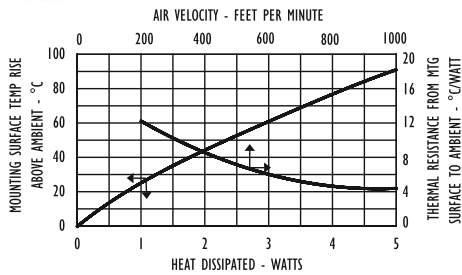
6043
6049

PART NUMBER	DESCRIPTION	W Dim
6043B	Heat sink with no added hardware	20.32 (.80)
6043PB	Pre-black anodized finish (Photo Left)	20.32 (.80)
6049PB	Pre-black anodized finish	13.97 (.55)



574402
578902

PART NUMBER	DESCRIPTION	A Dim	B Dim	PC BOARD LAYOUT	X1 Dim	Y1 Dim	Z1 Dim
574402B00000	Heat sink with no added hardware (Photo Left)	19.05 (0.750)					
574402B03200	F or horizontal mounting (Tab 32)	19.05 (0.750)	9.53 (.375)	Fig.6, page68	10.54 (.415)	2.29 (.090)	1.91 (.075)
578902B03200	F or horizontal mounting (Tab 32)	17.53 (0.690)	8.99 (.35)	Fig.6, page68	10.54 (.415)	3.05 (.120)	1.91 (.075)



574102

PART NUMBER	DESCRIPTION
574102B00000	Heat sink with no added hardware

