

**PLEASE CHECK WWW.MOLEX.COM FOR LATEST PART INFORMATION**

**Part Number:** [0456260001](#)  
**Status:** **Active**  
**Overview:** SPOX™ BMI Connector System  
**Description:** 2.50mm Pitch SPOX™ BMI Plug Housing, Dual Row, Panel Mount, 6 Circuits

**Documents:**

[3D Model](#) [Product Specification PS-45579-001 \(PDF\)](#)  
[Drawing \(PDF\)](#) [RoHS Certificate of Compliance \(PDF\)](#)

**Agency Certification**

CSA LR19980  
 UL E29179

**General**

Product Family Crimp Housings  
 Series [45626](#)  
 Application Signal, Wire-to-Wire  
 MolexKits Yes  
 Overview [SPOX™ BMI Connector System](#)  
 Product Name SPOX BMI™  
 UPC 822348232314

**Physical**

Circuits (maximum) 6  
 Color - Resin Black  
 Flammability 94V-0  
 Gender Male  
 Glow-Wire Compliant No  
 Lock to Mating Part None  
 Material - Resin Polyester  
 Net Weight 2.199/g  
 Number of Rows 2  
 Packaging Type Bag  
 Panel Mount Yes  
 Pitch - Mating Interface 2.50mm  
 Stackable No  
 Temperature Range - Operating -40°C to +105°C

**Electrical**

Current - Maximum per Contact 3.0A

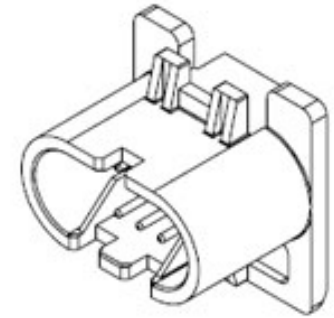
**Solder Process Data**

Lead-free Process Capability N/A

**Material Info**

**Reference - Drawing Numbers**

Product Specification PS-45579-001  
 Sales Drawing SD-45626-001



*Series image - Reference only*

**EU ELV**

**Not Relevant**

**EU RoHS**

**Compliant**

**China RoHS**

**REACH SVHC**

Contains SVHC(2015  
 June 15): No

**Halogen-Free**

**Status**

**Not Low-Halogen**

**Need more information on product  
 environmental compliance?**

Email [productcompliance@molex.com](mailto:productcompliance@molex.com)  
 Please visit the [Contact Us](#) section for any  
 non-product compliance questions.

China ROHS

Green Image

ELV

Not Relevant

**Search Parts in this Series**

[45626 Series](#)

**Mates With**

[45579 SPOX™ BMI Receptacle Housing](#)

**Use With**

[45627-0002 SPOX™ Male Crimp Terminal](#)