

SUBCON-PLUS-PROFIB/PG

Order No.: 2744403

SUBCON-PLUS-PROFIB



<http://eshop.phoenixcontact.de/phoenix/treeViewClick.do?UID=2744403>

D-SUB connector, 9-pos., male connector, cable entry < 35°, bus system: PROFIBUS DP up to 12 Mbps with Pg D-SUB female connector for connecting a programming device, termination resistor can be switched on via slide switch, pin assignment: 3, 5, 6, 8; spring-cage connection terminal blocks

Commercial data	
GTIN (EAN)	4017918819453
sales group	H631
Pack	1 pcs.
Customs tariff	85366990
Weight/Piece	0.0458 KG
Catalog page information	Page 405 (IF-2002)

Product notes

WEEE/RoHS-compliant since:
06/04/2007



<http://www.download.phoenixcontact.com>
Please note that the data given here has been taken from the online catalog. For comprehensive information and data, please refer to the user documentation. The General Terms and Conditions of Use apply to Internet downloads.

Technical data

General data	
Nominal voltage U_N	60 V AC/DC
Nominal current I_N	1 A

Bus system	PROFIBUS DP
Insertion/withdrawal cycles	> 200
Max. cable diameter	8.4 mm
Min. cable diameter	7.6 mm
SUBCON fixing screws	4-40 UNC
Tightening torque	0.4 Nm
Ambient temperature (operation)	-20 °C ... 70 °C
Housing material	ABS, metal-plated
Pin assignment	3, 5, 6, 8
Width	16 mm
Height	49.5 mm
Length	60 mm

Connection data

Connection	D-SUB connection
Number of positions	9
Type of connection	D-SUB connector
Connection	PCB connection
Type of connection	Spring-cage connection
Conductor cross section solid min.	0.12 mm ²
Conductor cross section solid max.	0.5 mm ²
Conductor cross section AWG/kcmil min.	28
Conductor cross section AWG/kcmil max	20
Stripping length	5 mm
Tightening torque	0.4 Nm
Connection	Programming connection
Number of positions	9
Type of connection	D-SUB socket

Certificates / Approvals



Certification

CUL, GOST, UL

Accessories

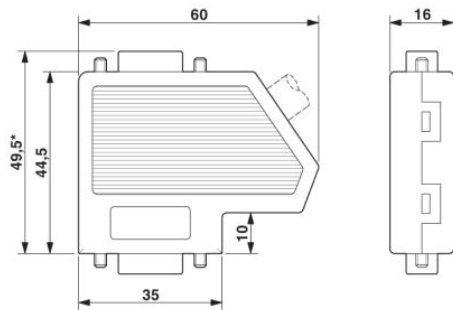
Item	Designation	Description
------	-------------	-------------

Tools

2744623	PSM-STRIP-FC/PROFIB	Quick stripping tool for PROFIBUS cable, type Fast Connect
1204384	QUICK WIREFOX 6	Stripping tool for cables with PVC insulation, stripping range: 0.08 to 6 mm ² , wire cutting up to 6 mm ² flexible or 4 mm ² rigid

Diagrams/Drawings

Dimensioned drawing



Address

PHOENIX CONTACT Inc., USA
586 Fulling Mill Road
Middletown, PA 17057, USA
Phone (800) 888-7388
Fax (717) 944-1625
<http://www.phoenixcon.com>



© 2010 Phoenix Contact
Technical modifications reserved;