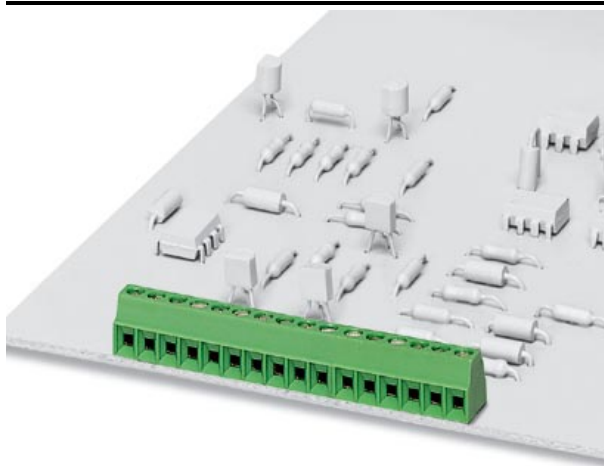


Please note that the data given here has been taken from the online catalog. For comprehensive information and data, please refer to the user documentation at <http://www.download.phoenixcontact.com>. The General Terms and Conditions of Use apply to Internet downloads.

## ▶ Extract from the online catalog



Printed circuit terminal block, nominal current: 10 A, rated voltage: 160 V, pitch: 3.5 mm, no. of positions: 3, mounting: Soldering, type of connection: Screw connection, connection direction from the conductor to the PCB: 0°

The illustration shows a 16-position version

|                          |                   |
|--------------------------|-------------------|
| Order No.                | 1751251           |
| Ord designation          | MKDS 1/ 3-3,5     |
| EAN                      | 4017918028336     |
| Pack                     | 50 Pcs.           |
| Customs tariff           | 85369010          |
| Catalog page information | Page 21 (CC-2005) |

## ▶ Technical data

### Dimensions / positions

|                        |              |
|------------------------|--------------|
| Pitch                  | 3.5 mm       |
| Dimension a            | 7 mm         |
| Number of positions    | 3            |
| Pin dimensions         | 0,5 x 0,9 mm |
| Hole diameter          | 1.1 mm       |
| Screw thread           | M 2          |
| Tightening torque, min | 0.22 Nm      |

**Technical data**

|                                    |                   |
|------------------------------------|-------------------|
| Insulating material group          | I                 |
| Rated surge voltage (III/3)        | 2.5 kV            |
| Rated surge voltage (III/2)        | 2.5 kV            |
| Rated surge voltage (II/2)         | 2.5 kV            |
| Rated voltage (III/2)              | 200 V             |
| Rated voltage (II/2)               | 400 V             |
| Connection in acc. with standard   | EN-VDE            |
| Nominal current $I_N$              | 10 A              |
| Nominal voltage $U_N$              | 160 V             |
| Nominal cross section              | 1 mm <sup>2</sup> |
| Maximum load current               | 12 A              |
| Insulating material                | PA                |
| Inflammability class acc. to UL 94 | V0                |
| Stripping length                   | 5 mm              |

**Connection data**

|                                                                            |                      |
|----------------------------------------------------------------------------|----------------------|
| Conductor cross section, rigid min.                                        | 0.14 mm <sup>2</sup> |
| Conductor cross section, rigid max.                                        | 1.5 mm <sup>2</sup>  |
| Conductor cross section flexible min.                                      | 0.14 mm <sup>2</sup> |
| Conductor cross section, flexible max.                                     | 1 mm <sup>2</sup>    |
| Conductor cross section flexible, with ferrule without plastic sleeve min. | 0.25 mm <sup>2</sup> |
| Conductor cross section flexible, with ferrule without plastic sleeve max. | 0.5 mm <sup>2</sup>  |
| Conductor cross section flexible, with ferrule with plastic sleeve min.    | 0.25 mm <sup>2</sup> |
| Conductor cross section flexible, with ferrule with plastic sleeve max.    | 0.5 mm <sup>2</sup>  |
| Conductor cross section AWG/kcmil min.                                     | 26                   |
| Conductor cross section AWG/kcmil max                                      | 16                   |
| 2 conductors with same cross section, solid min.                           | 0.14 mm <sup>2</sup> |
| 2 conductors with same cross section, solid max.                           | 0.5 mm <sup>2</sup>  |
| 2 conductors with same cross section, flexible, min.                       | 0.14 mm <sup>2</sup> |
| 2 conductors with same cross section, flexible max.                        | 0.2 mm <sup>2</sup>  |

## ► Certificates

---

### Certificate logos



#### UL

|                       |       |
|-----------------------|-------|
| Nominal voltage $U_N$ | 300 V |
| Nominal current $I_N$ | 10 A  |
| AWG/kcmil             | 30-16 |

---

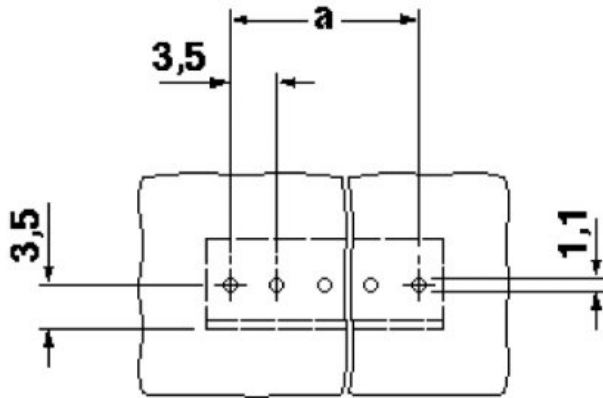
#### CSA

|                       |                                       |
|-----------------------|---------------------------------------|
| Comments              | all numbers of positions are accepted |
| Nominal voltage $U_N$ | 300 V                                 |
| Nominal current $I_N$ | 10 A                                  |
| AWG/kcmil             | 28-16                                 |

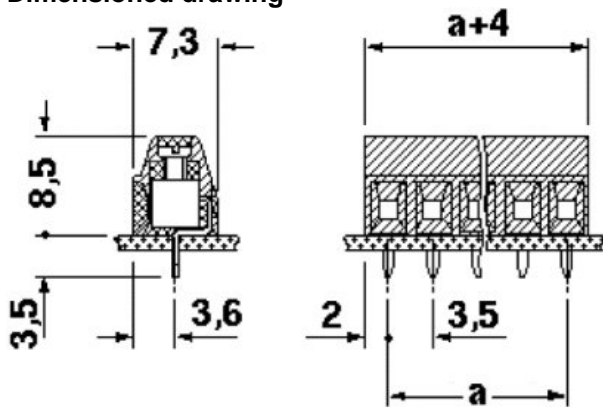
---

► Drawings

Drilling diagram



Dimensioned drawing



## ► Accessories

| Item           | Designation             | Description                                                                                                                                                                               |
|----------------|-------------------------|-------------------------------------------------------------------------------------------------------------------------------------------------------------------------------------------|
| <b>Marking</b> |                         |                                                                                                                                                                                           |
| 1051993        | B-STIFT                 | Marker pen, for manual labeling of unprinted Zack strips, smear-proof and waterproof, line thickness 0.5 mm                                                                               |
| 0804073        | SK 3,5/2,8:FORTL.ZAHLEN | Marker card, printed horizontally, self-adhesive, 10-section marker strip, 12 identical decades marked 1-10, 11-20 etc. up to 91-100, sufficient for 120 terminal blocks                  |
| 0805030        | SK 3,5/2,8:SO           | Marker card, special printing, self-adhesive, labeled acc. to customer requirements, 14 identical marker strips per card, max. 25-position labeling per strip.                            |
| 0803883        | SK U/2,8 WH:UNBEDRUCKT  | Unprinted marker cards, DIN A4 format, pitch as desired, self-adhesive, with 50 stamped marker strips, 185 mm strip length, can be labeled with the CMS system or manually with the M-PEN |
| <b>Tools</b>   |                         |                                                                                                                                                                                           |
| 1205037        | SZS 0,4X2,5             | Screwdriver, bladed, matches all screw terminal blocks up to 1.5 mm <sup>2</sup> connection cross section, blade: 0.4 x 2.5 mm                                                            |

---

► **Address**

---

PHOENIX CONTACT Inc., USA  
586 Fulling Mill Road  
Middletown, PA 17057  
USA  
Phone (800) 888-7388  
Fax (717) 944-1625  
<http://www.phoenixcon.com>  
Phoenix Contact  
Technical modifications reserved;